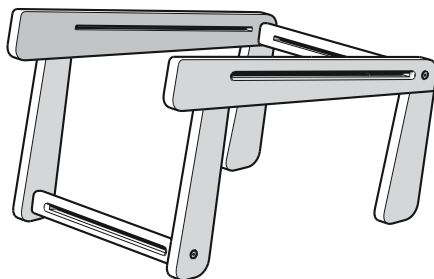




Manual 使用手冊



Joey sofa / 袋鼠窩

Design by Yulin Chen & Yingying Lee



reddot award 2017
winner

User guide 2
用戶指南

Guarantee 3
保固

Hardware 6
五金清單

Parts list 7
部件清單

Assembly 8
組裝

Prepare Joey Sofa for your pets

Congratulations on your purchase of Joey Sofa. Please take time to read and follow these instructions for assembly.

When the assembly is completed, you may place Joey Sofa at any safe and desirable location. A corner that sees the whole family activity will be a good place to start.

Each pet has different character. Some will rush into the sofa, while some will be cautious and hesitate to approach their new home. Try to place their favorite toys or snacks inside the sofa to interest them.

Do not force putting them directly into the sofa as it may cause negative reactions from the pet.

Warranty

3 years warranty on all wooden and metal parts.

1 year warranty on textile part.

The warranty applies to defect in materials or workmanship from manufacturer only.

The warranty does not cover fair wear and tear to the product, the defects caused by improper use, or defects caused by the use of non-original parts.

The warranty does not cover accidents caused by not following the guideline and taking the necessary safety measure toward the assembly process, daily usage and maintenance.

Instruction

Cleaning and maintenance

Wooden parts: Cleaning with damp cloth and wiping out excess water. Avoid storing in extreme environment such as high humidity and high temperature. Exposing in direct sunlight could cause surface lacquer discoloration.

Textile parts: Machine Wash at room temperature. Iron if necessary. Do not bleach. Do not tumble dry.

Daily use: keep wooden frame and textile in a cool and dry place.

Precautions

Do not place Joey Sofa near a heat source. It could lead to fire risk.

Joey Sofa serves as pet's resting supplies only. Do not use for other purposes.

Place Joey Sofa on a solid, stable and level surface only.

Please keep the wrench that comes with the original packaging and tighten all screws every 3 to 4 weeks.

為毛孩們進窩做準備

感謝選擇袋鼠窩，請依本說明書組裝袋鼠窩，完成後放置於適合的角落。一個可以讓毛孩躺進去後，還能觀察到全家活動的地點會是個好的開始。

每個毛孩的個性都不一樣，有些毛孩們會直接爬進去。但有些毛孩是慢熱型，可以讓毛孩們慢慢適應，放牠心愛的玩具或是零食在窩裏，引起牠們的興趣，但比較不合適的是馬上抱牠們上去，有時反而有負影響。

保固

所有木質及金屬部份擁有 3 年的保修。

布料的部份擁有 1 年的保修。

此保證只適用於有關出廠時的材料和結構上的缺陷。

此保證不包括於正常使用情況

下的折舊和破損，因不當或不合理使用而造成的故障及維修，和使用未經九窩寵物公司授權的改裝零部件或部份。

此保證不包括因沒有根據本手冊安裝，使用和維護產品而產生的任何事故。

使用注意事項

清潔與維護

木製部份：可用溼布擦拭，多餘水份需擦除。不建議放致於極端環境如極潮溼、極高溫環境。同時直接暴曬於陽光下，有可能導致表面變色。

布料部份：可機洗，可熨燙，不可漂白，常溫水洗，不可烘乾。

日常使用：保時木架及布套通風、冷卻及乾燥，

注意事項

請勿將袋鼠窩置於明火或電熱器、暖爐、電源插座等高熱源附近，因為有著火風險。

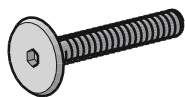
請勿將袋鼠窩使用於寵物休息之外的用途。

請將袋鼠窩置於穩固的水平表面。

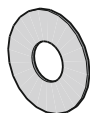
組裝後，請妥善收納隨付六角板手。每三到四個星期，再次上緊所有螺絲。

Hardware

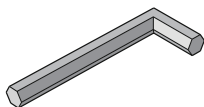
五金



A x 4



B x 4

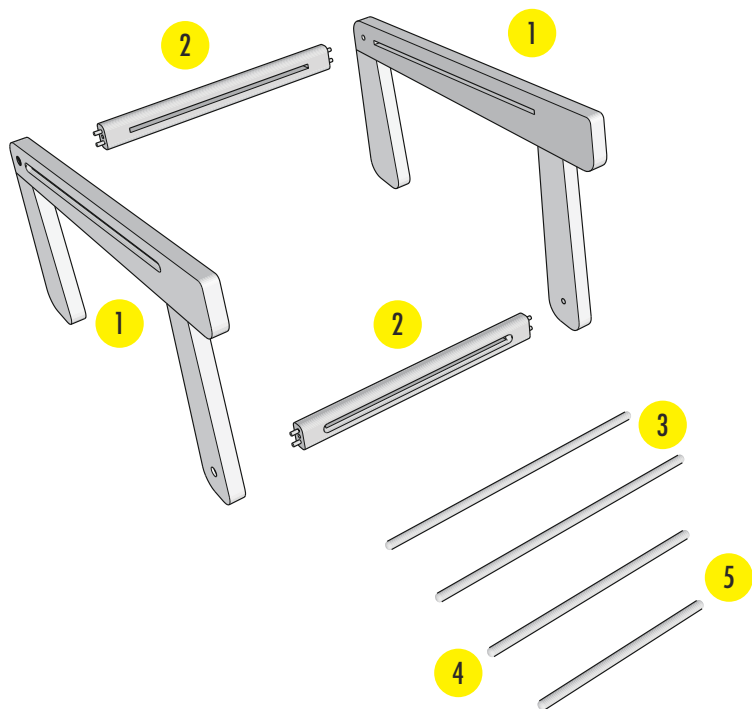


C x 1

Parts List

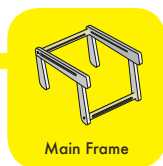
零件列表

- 1 Main frame x 2
側支架
- 2 Cross bar x 2
橫支桿
- 3 Side Stick x 2
側撐桿
- 4 Rear Stick x 1
後撐桿
- 5 Front Stick x 1
前撐桿

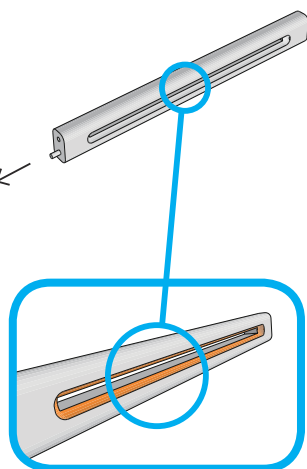
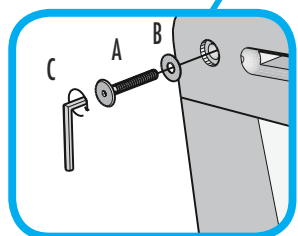
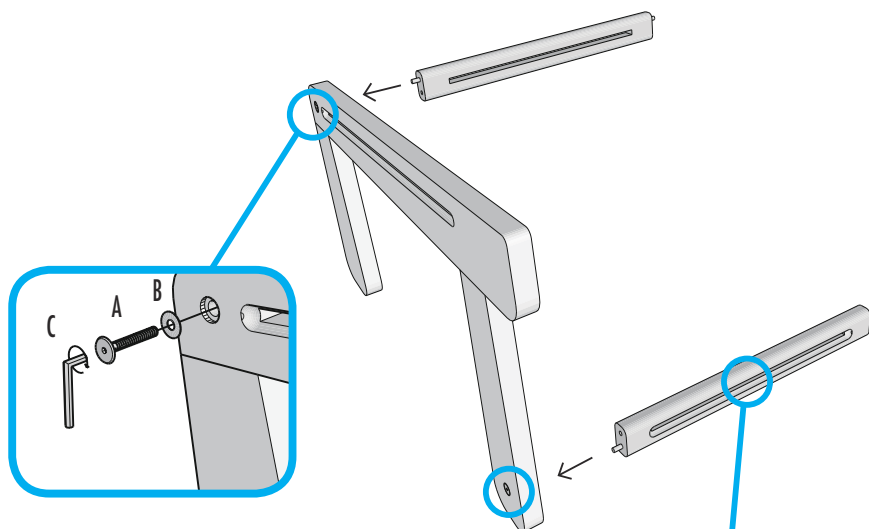




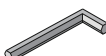
Main Frame Assembly

主框架組裝

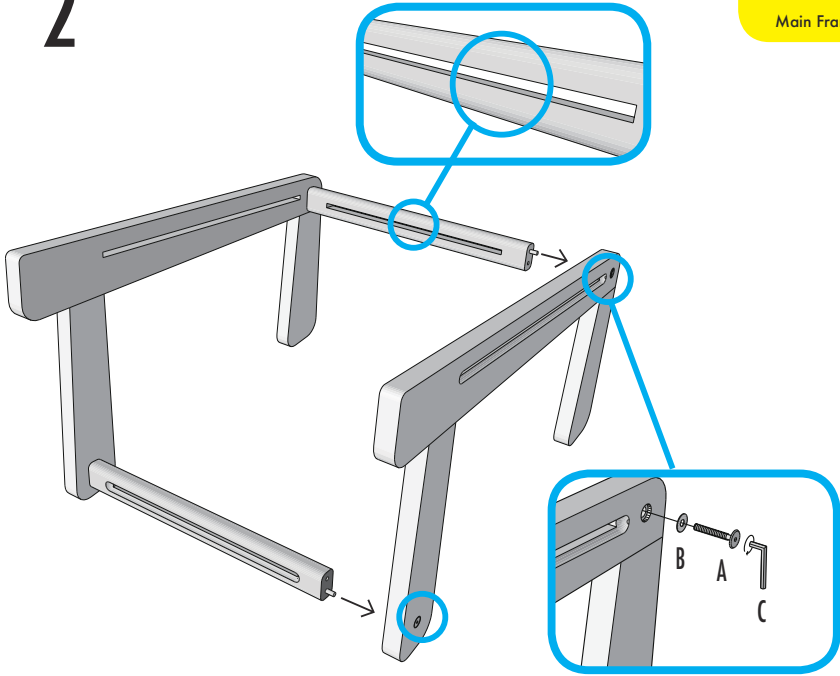
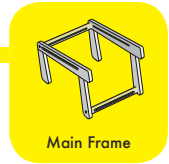




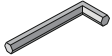
1



A x 2	B x 2	C x 1
		

2



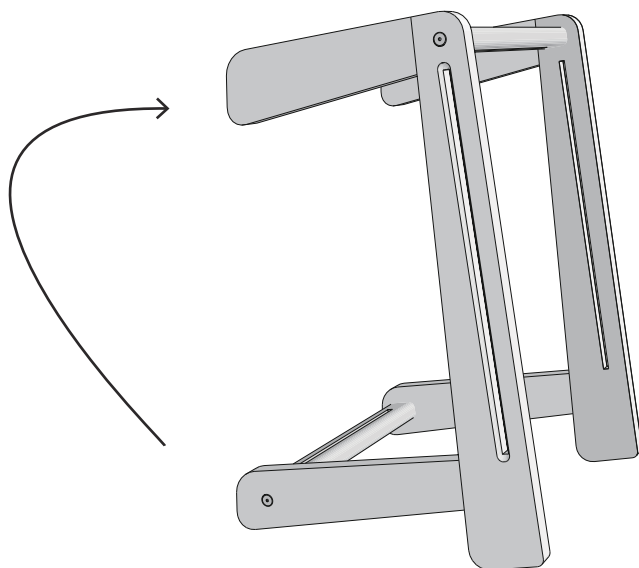
<p>A x 2</p> 	<p>B x 2</p> 	<p>C x 1</p> 
--------------------------------------------------------------------------------------------------	--------------------------------------------------------------------------------------------------	--------------------------------------------------------------------------------------------------

Semi-Cover Assembly (optional)

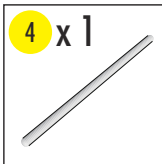
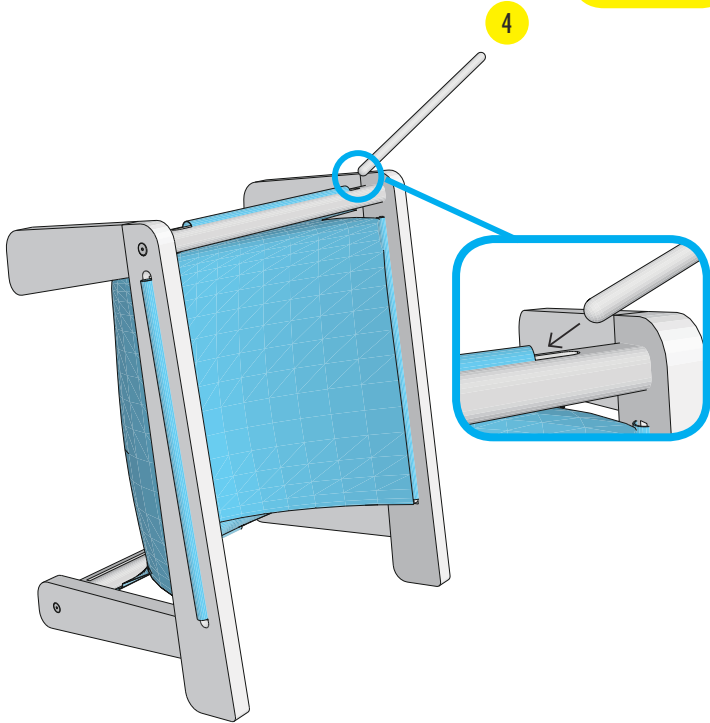
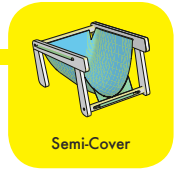
半屋布套安裝



1



2

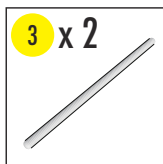
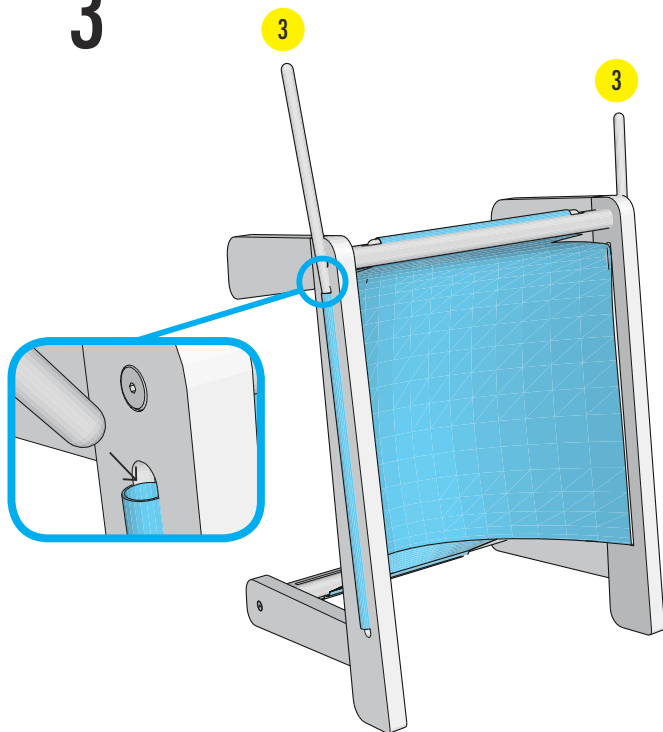


Semi-Cover Assembly (optional)

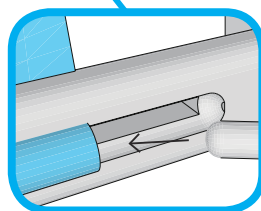
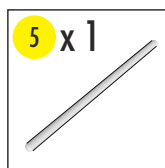
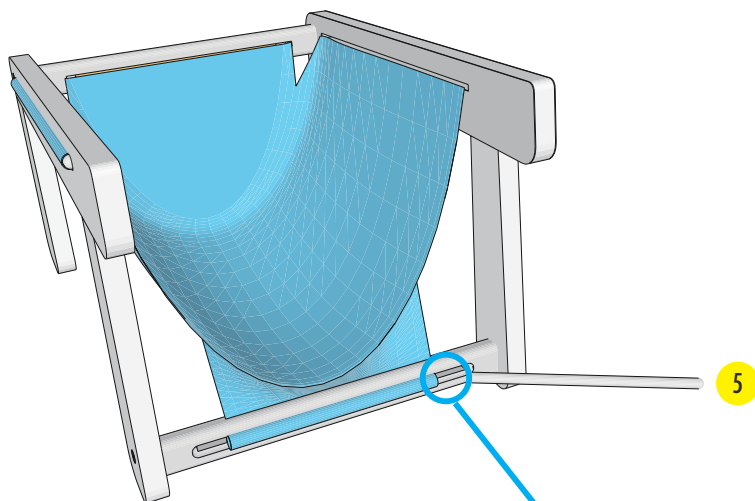
半屋布套安裝



3



4

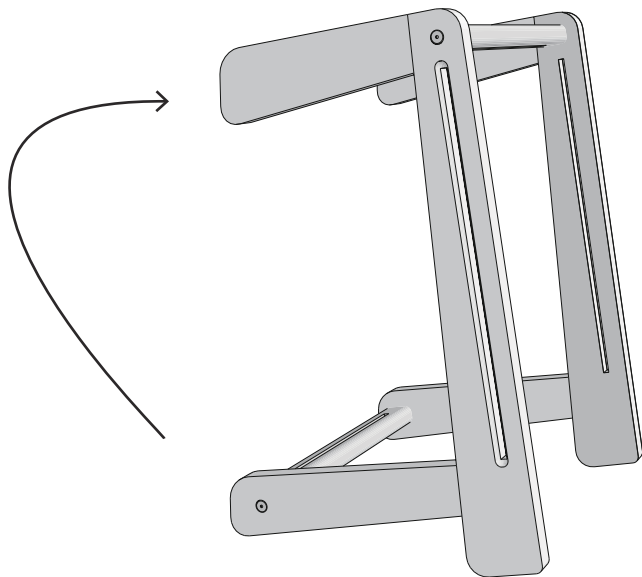


Full-Cover Assembly (optional)

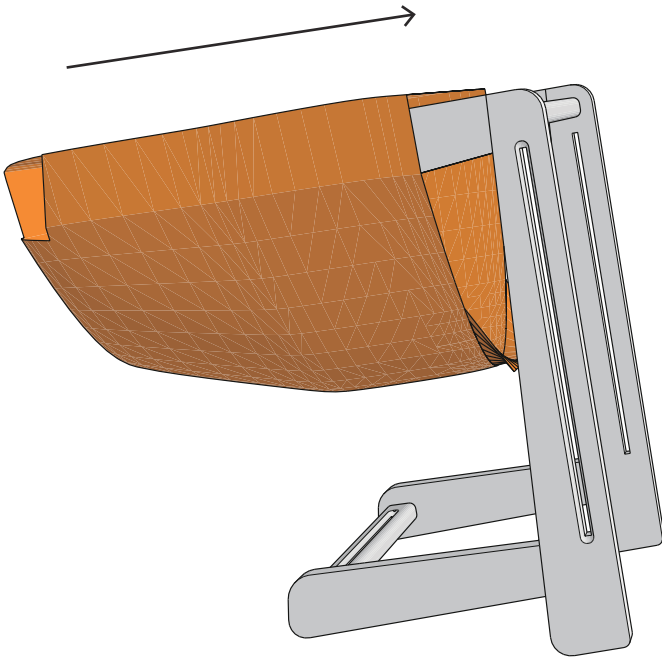
全屋布套安裝



1



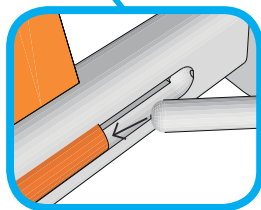
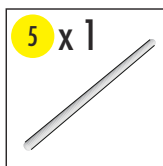
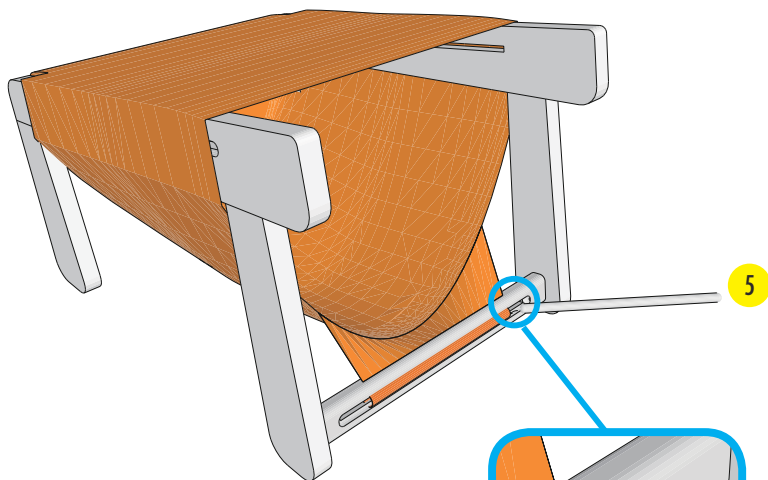
2



Full-Cover Assembly (optional)

全屋布套安裝

3





www.9housepet.com
info@9housepet.com